

IDU-CPE-G(24W)




IDU-CPE-G(24W) is an indoor Gigabit PoE injector compatible with Quanta 5, Quanta 6, Quanta 70, InfiLINK 2x2 LITE, InfiMAN 2x2 STE, InfiLINK Evolution, InfiMAN Evolution STE and AUX-ODU-SYNC outdoor units.

PoE injector supports 100-240 V input range from the AC mains.

IDU-CPE-G(24W) feeds 48 VDC power to the device by injecting it to the CAT5 Ethernet cable.



Key Features

 Compatible with Quanta 5, Quanta 6, Quanta 70, InfiLINK 2x2 LITE, InfiMAN 2x2 STE, InfiLINK Evolution, InfiMAN Evolution STE, AUX-ODU-SYNC

 Gigabit Ethernet pass-through

 Operating temperature range: from -10°C to +40°C

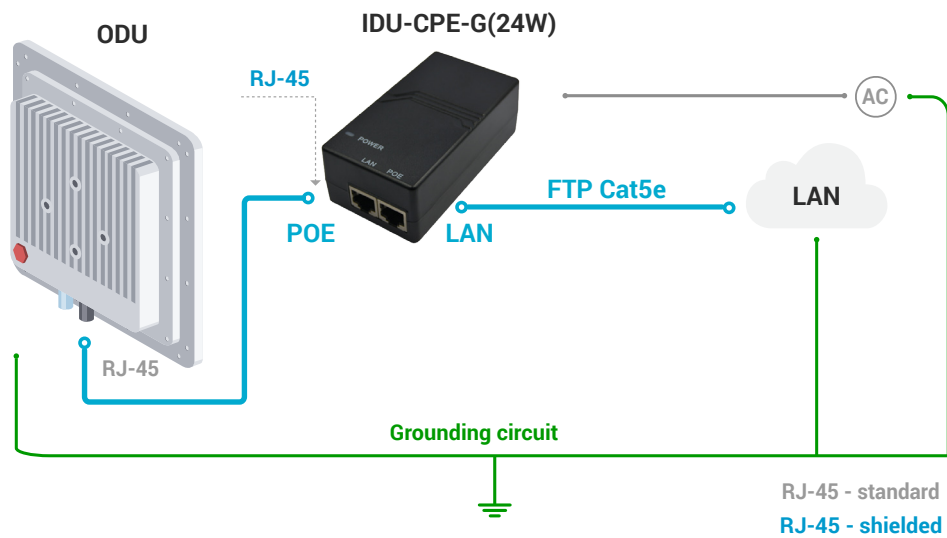
 AC power source

 Input voltage: 100 - 240 VAC

 Output voltage: 48 VDC

 Consumption: 28 W

Recommended Installation Layout



Specification

Parameter		Description							
Compatible models		<ul style="list-style-type: none"> Quanta 5, Quanta 6, Quanta 70, InfiLINK 2x2 LITE, InfiMAN 2x2 STE, InfiLINK Evolution, InfiMAN Evolution STE, AUX-ODU-SYNC 							
Input Voltage & Current		100 - 240 V, 0.75 A							
Output Voltage & Current		48 VDC, 0.5 A							
Consumption		28 W							
Ethernet Modes		10/100/1000 Mbps (Gigabit Ethernet pass-through)							
Standards		<ul style="list-style-type: none"> IEEE 802.3 10Base-T IEEE 802.3U 100Base-TX IEEE 802.3ab 1000Base-T 							
Connectors and Interfaces		<ul style="list-style-type: none"> "LAN" - Ethernet input (Data only) "POE" - Ethernet output (Data+VDC), PASSIVE PoE "PWR" - AC Input 							
Pin Assignment and Polarity	LAN	1	2	3	4	5	6	7	8
		A+	A-	B+	C+	C-	B-	D+	D-
	POE	1	2	3	4	5	6	7	8
		A+	A-	B+	+VDC/C+	+VDC/C-	B-	-VDC/D+	-VDC/D-
Size and Weight		97x53.5x33.5 mm, 0.133 kg							
Operating temperature range		from -10°C to +40°C							